
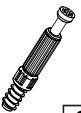

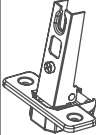

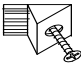




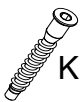


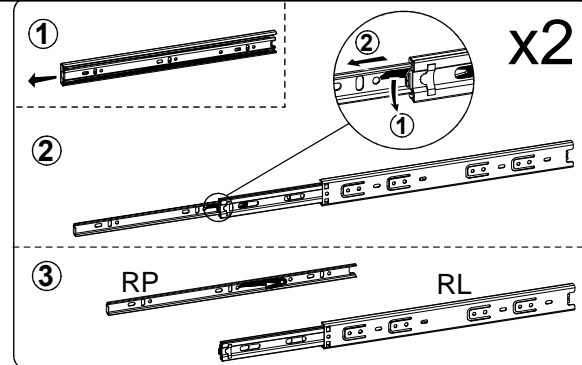
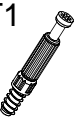


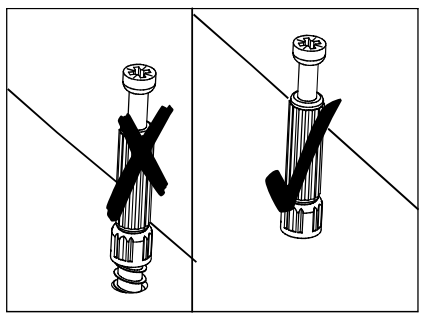
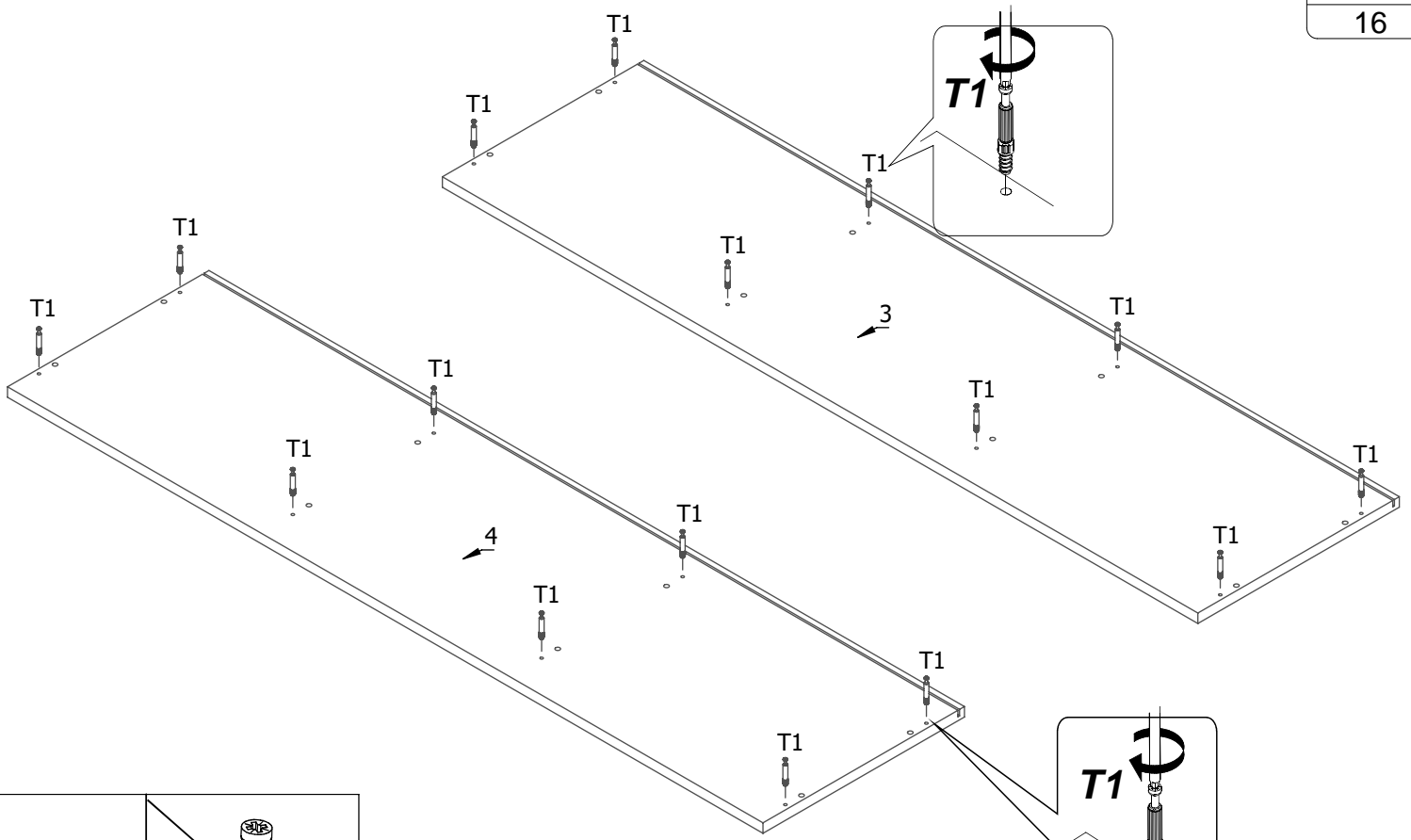
K30  16	T1  28	M1  28	ZP  4	PZ  4
STB  12	E5x13  16	W4x16  8	Z1  28	Q  1
KF50  8	H180  5	F2  15		



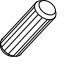


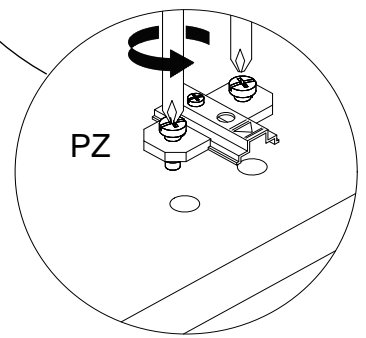
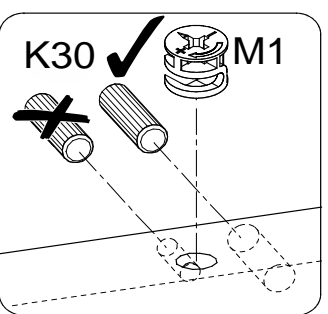
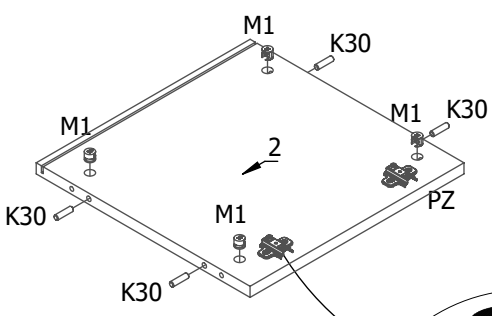
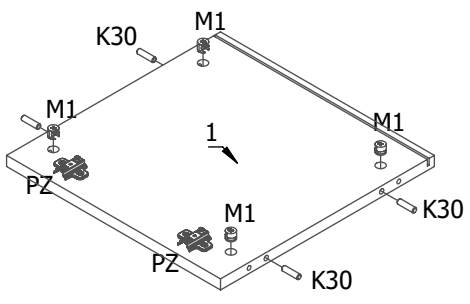
T1






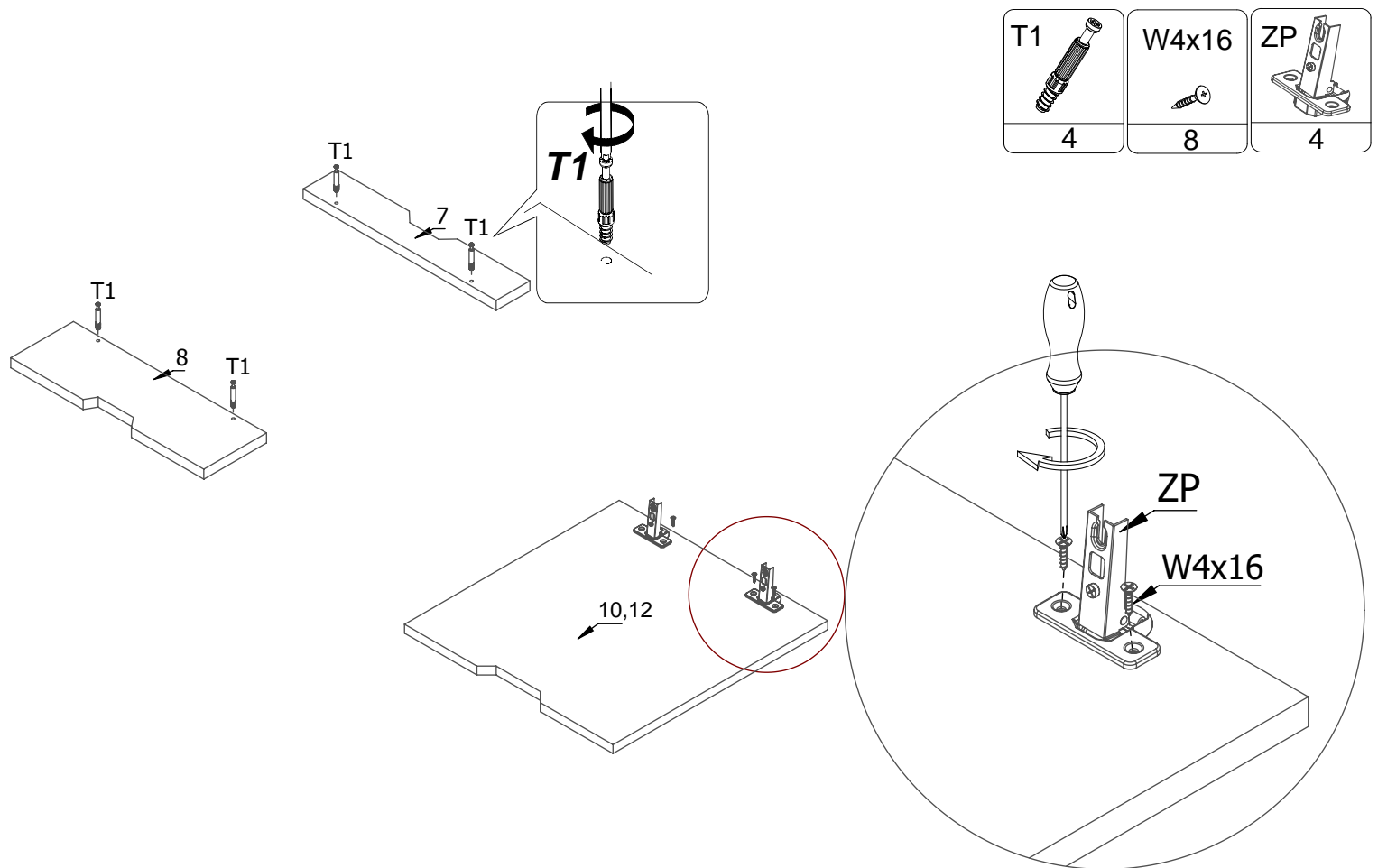
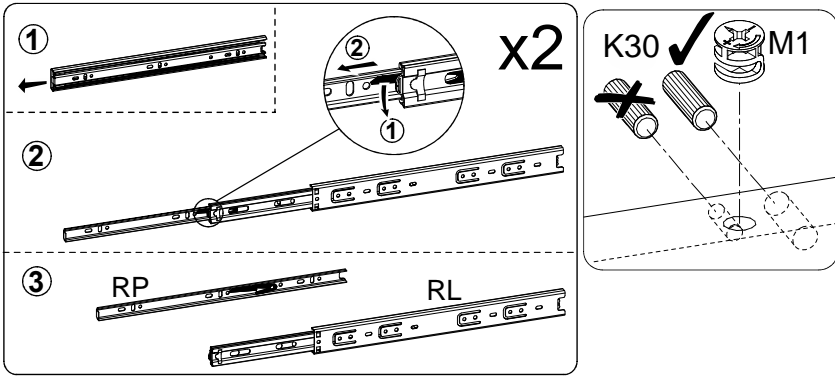
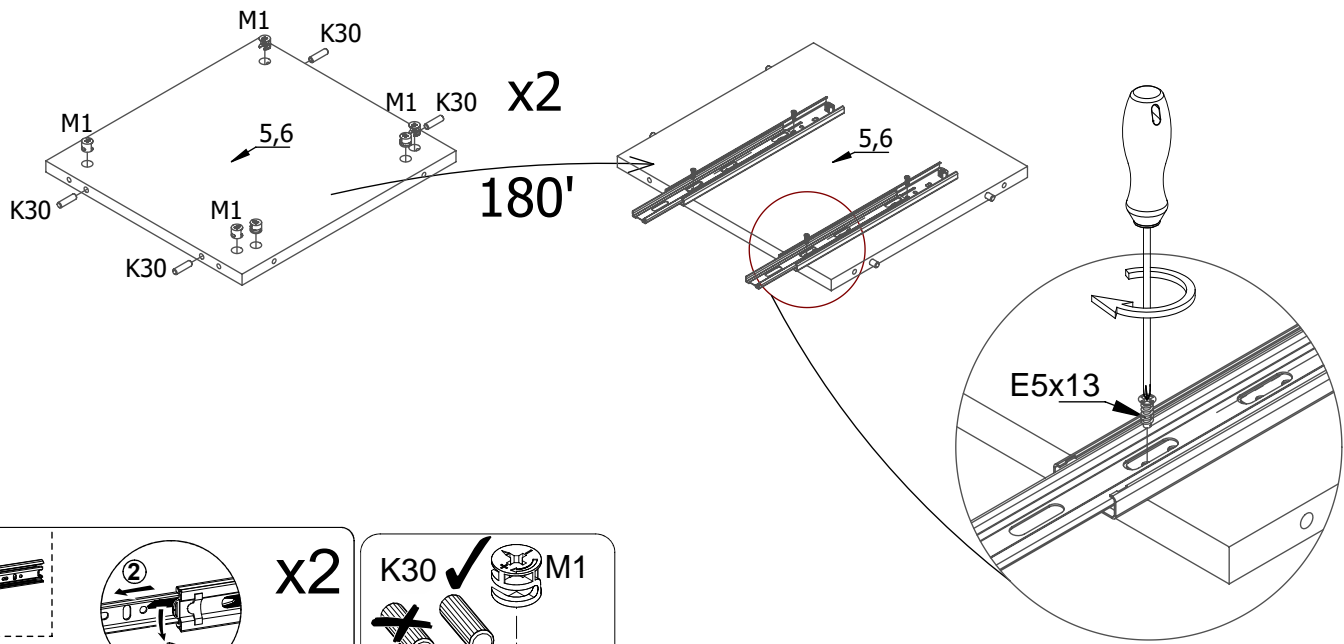
16


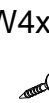
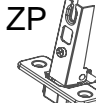


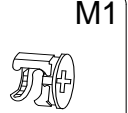
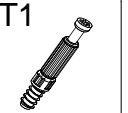


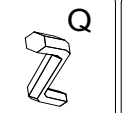

PZ  4	M1  8	K30  8
---	---	--

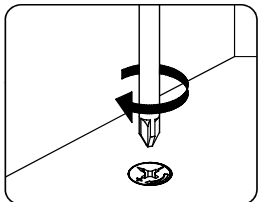
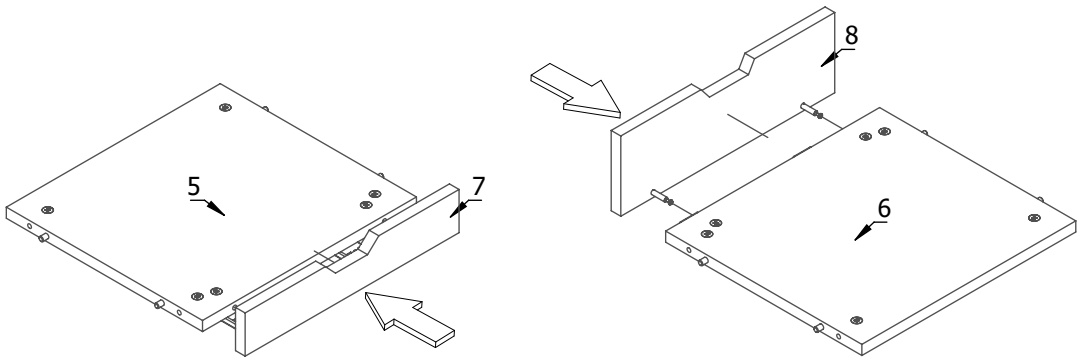
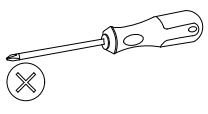
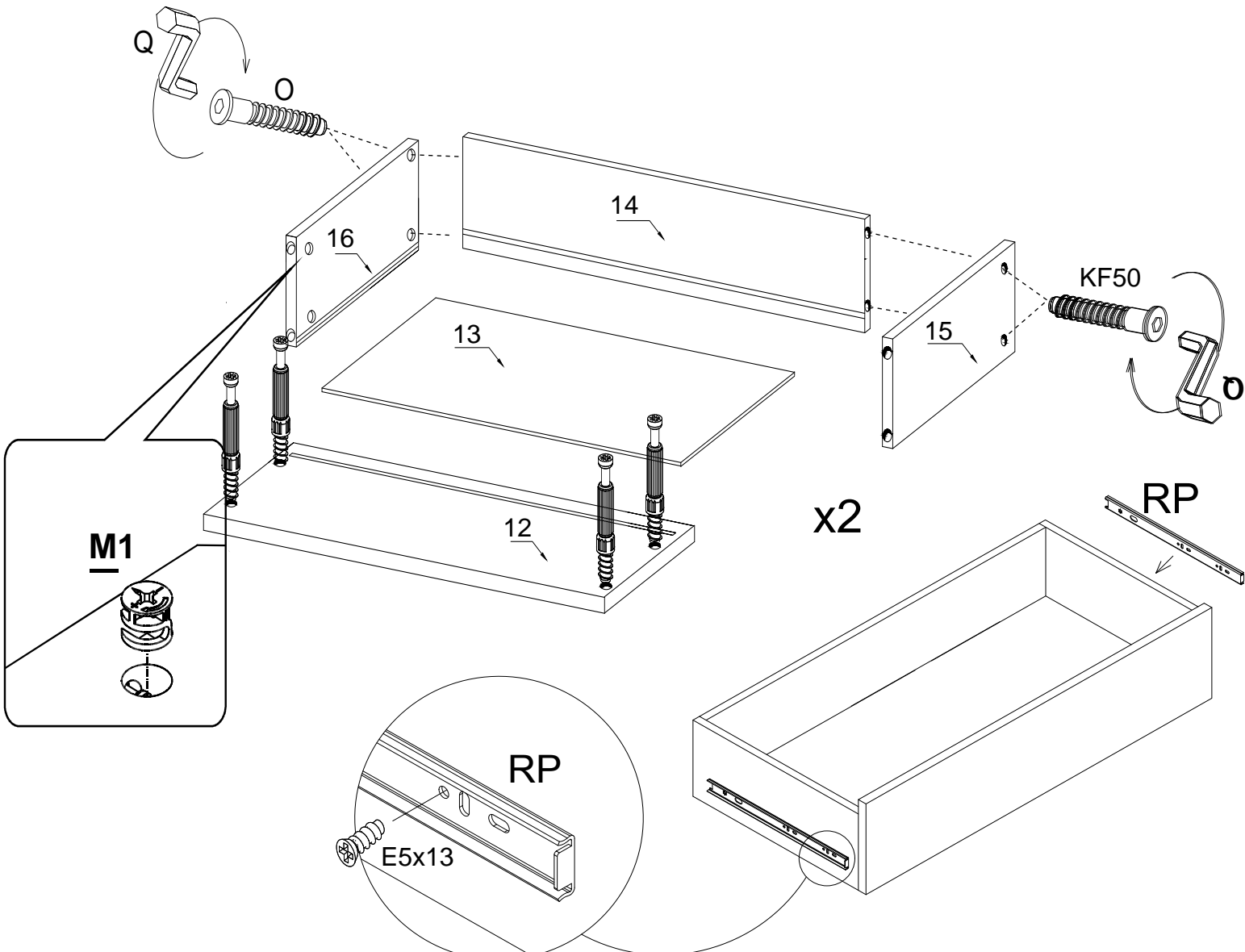


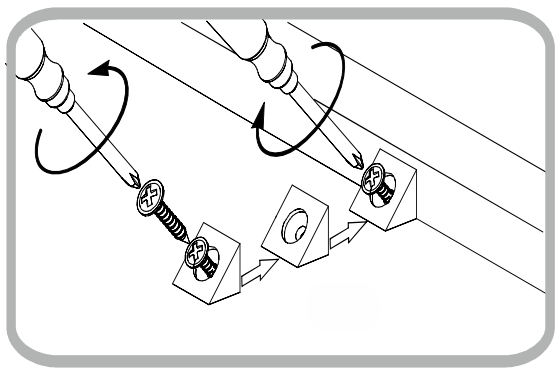
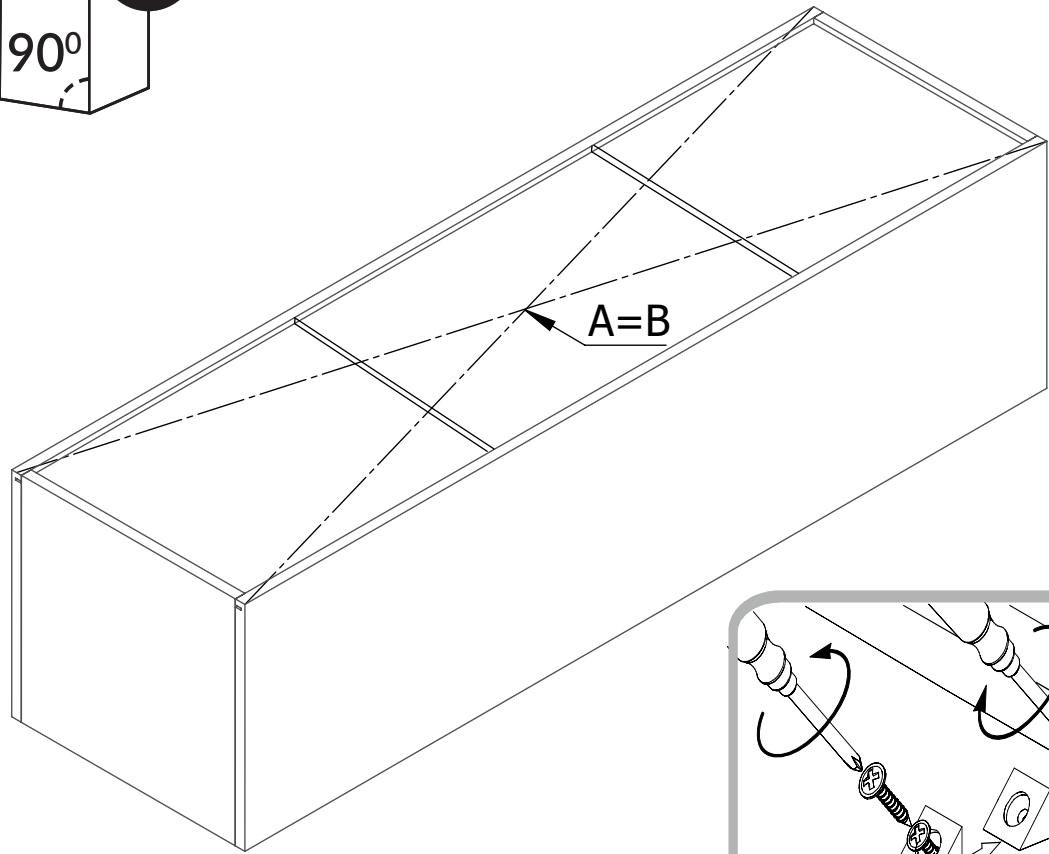
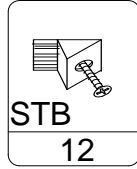
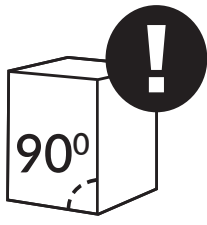
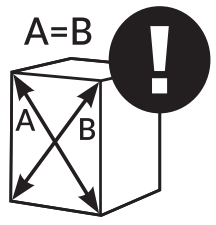
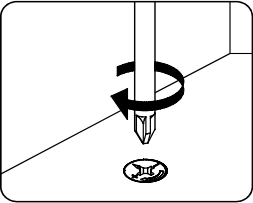
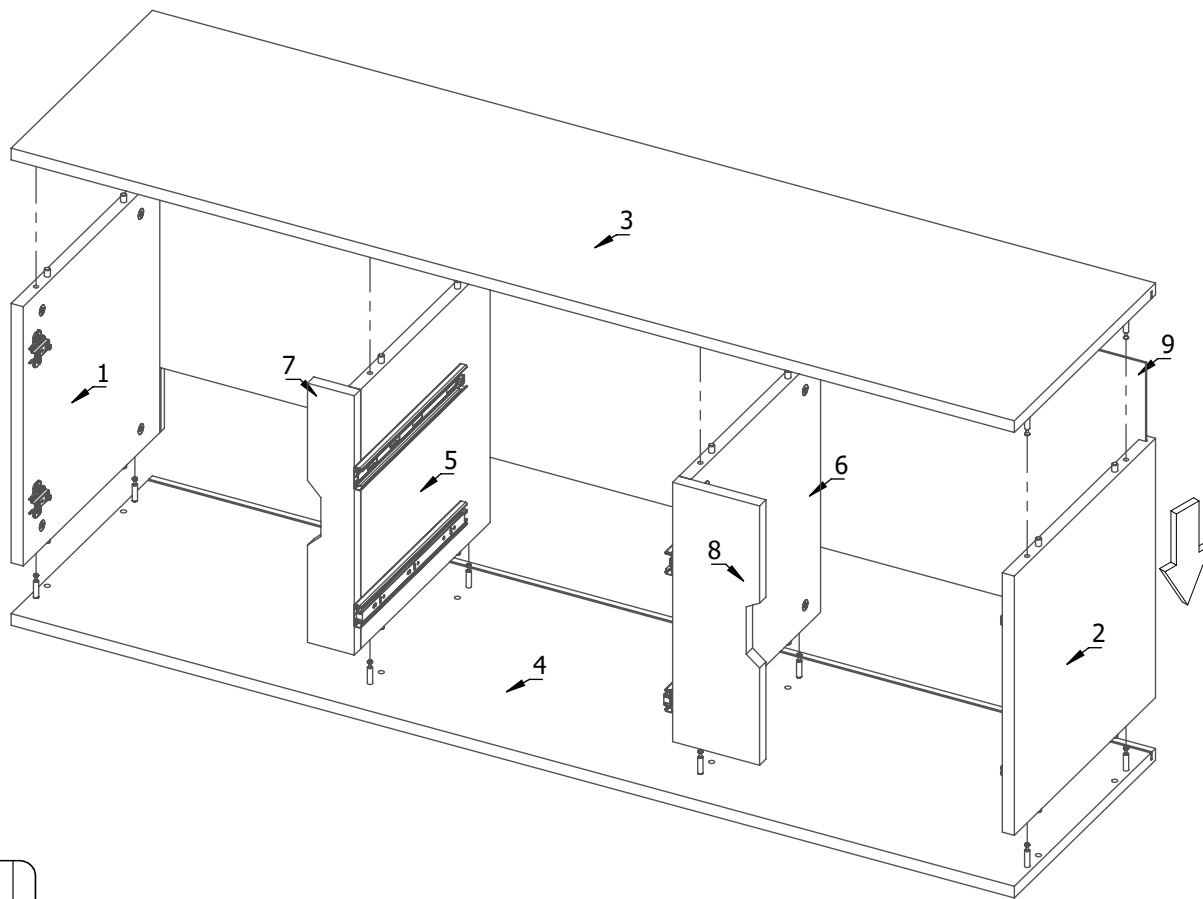
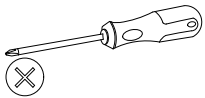
E5x13 	M1 	K30 
8	12	8





T1 	W4x16 	ZP 
4	8	4

 M1 8	 T1 8	 E5x13 8	 RP 4	 Q 1	 KF50 8
---	--	--	---	--	---





 H180 5	 F2 15
---	--

